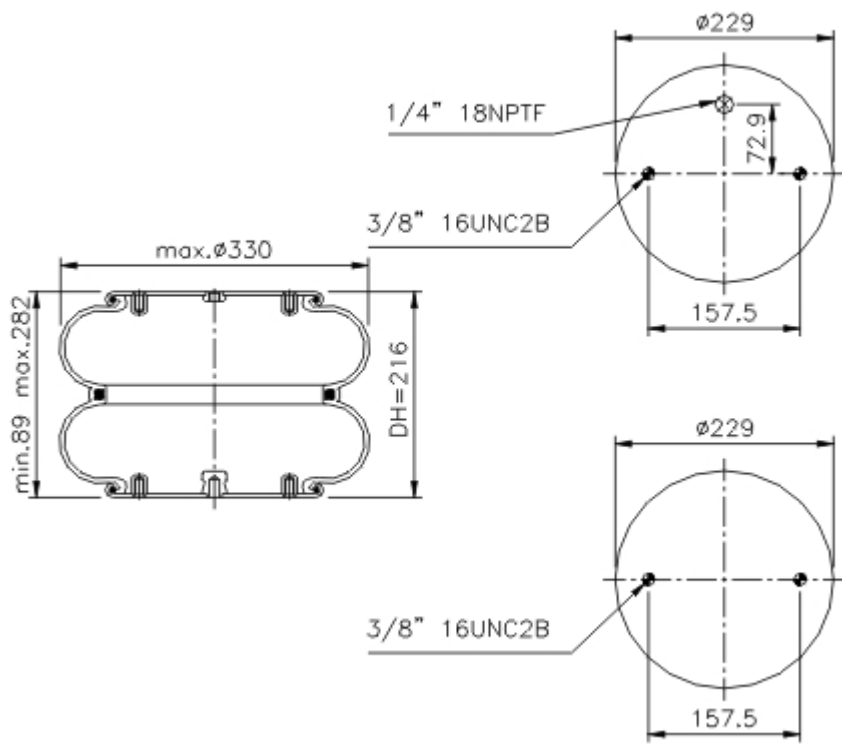


[PRINT](#)



Goodyear Part No.: **2B12-425**  
 Flex Member No.: **578-92-3-309**



- Mounting Stud
- Air Fitting
- Tapped hole
- Combination Stud/ Air Fitting

**OEM**

<b>Manufacturer</b>		
<b>Model</b>	<b>OEM</b>	<b>F/R</b>
<b>HENDRICKSON</b>		
	NA 1816	
<b>SAF AIR SUSPENSION</b>		
	2.229.1001.00	
<b>SCHMITZ - ANHANGER</b>		
	750377	
<b>MAN (TRUCK)</b>		

16 215 FNS	81.43601.0022	R
16 230 FN/FNS	81.43601.0022	R
16 304 FN/FNS	81.43601.0022	R
9156	81.43601.0022	R
9156 FL	81.43601.0022	R
9186	81.43601.0022	R
9186 FL	81.43601.0022	R
<b>BUSSING</b>		
F161LL/ SL	546905134	R
F163LL/ SL	546905134	R
F221/ LEL/ LNL	546905134	R
F76LL/ 77LL	546905134	R
S16	831120120	R
VG16	831120120	F
VG16	831120120	R
VT16	831120120	F
VT16	831120120	R
<b>IVECO - MAGIRUS</b>		
SATURN II	342.2571.E25157-04	F
SATURN II	342.2571.E25157-04	R
SATURN II	5167.0421.81	F
<b>MAGIRUS DEUTZ</b>		
150L10	0345 2571	F
150L10	0345 2571	R

### Competitor

Manufacturer	AirSpring style
CFGomma (Pirelli)	22B 86624
Contitech	FD 330-22
Springride	S12202
Firestone	22 358 7180
Phoenix	SP2B22
Taurus	KF 222-7180

[PRINT](#)