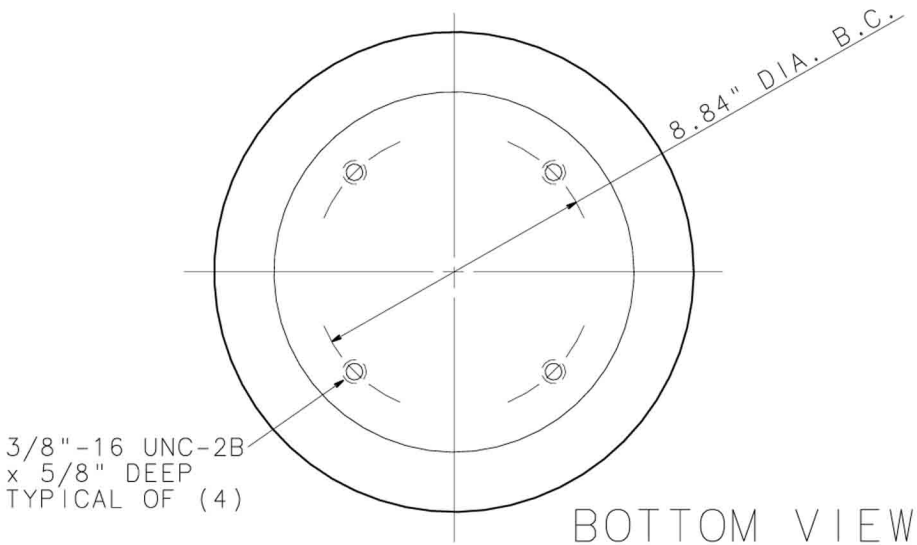
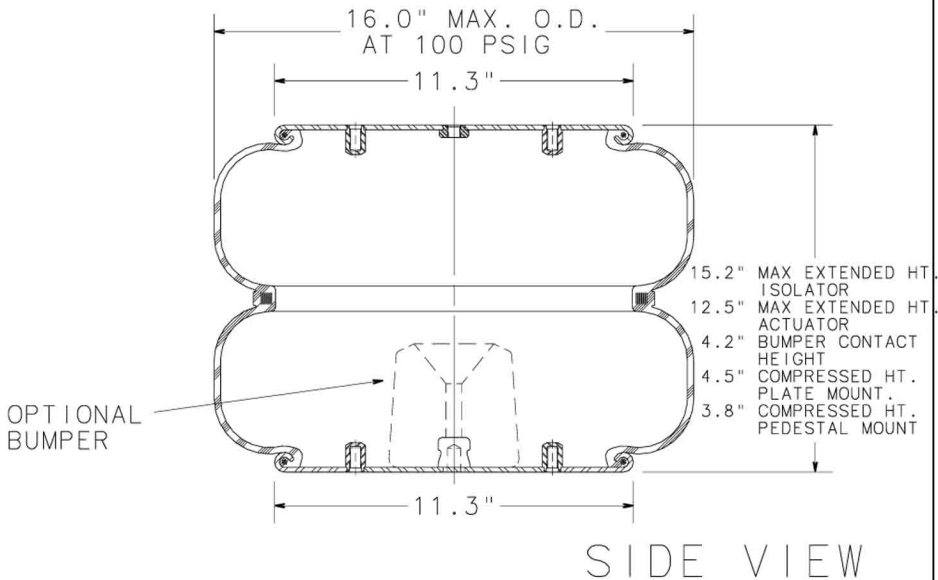
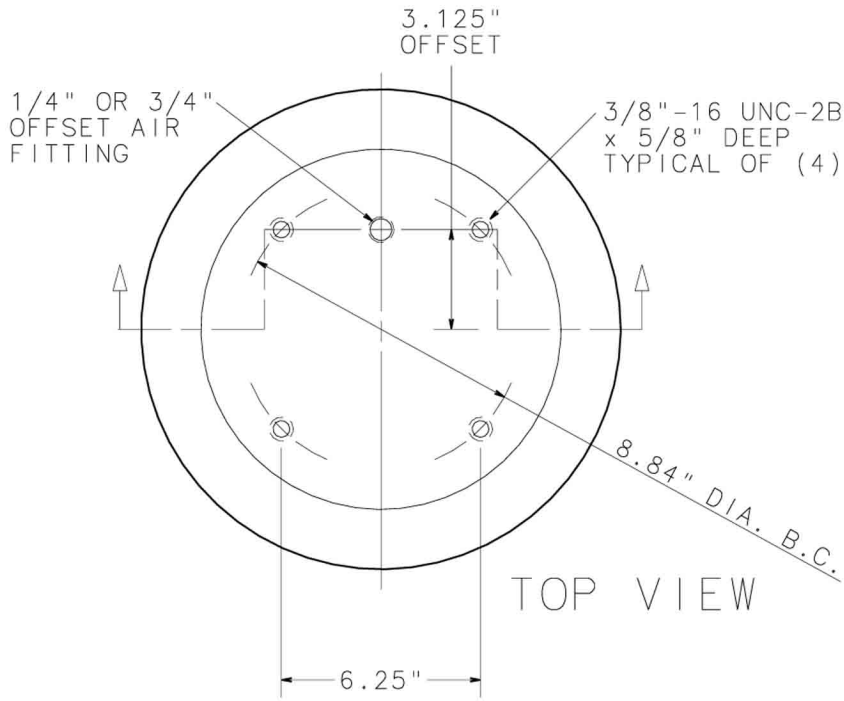


2B14-362



| ASSEMBLY NUMBER | ELASTOMER | AIR FITTING | BUMPER INCLUDED |
|---------------------------|-------------|----------------------------|-----------------|
| 2B14-362 | NAT. RUBBER | 1/4"-18 NPTF OFFSET 3.125" | NO |
| 2B14-363 | NAT. RUBBER | 3/4"-14 NPTF OFFSET 3.125" | NO |
| 2B14-452 | NAT. RUBBER | 1/4"-18 NPTF OFFSET 3.125" | YES |
| 578923356 FLEXMEMBER ONLY | NAT. RUBBER | ---- | --- |

SPRING FEATURES:

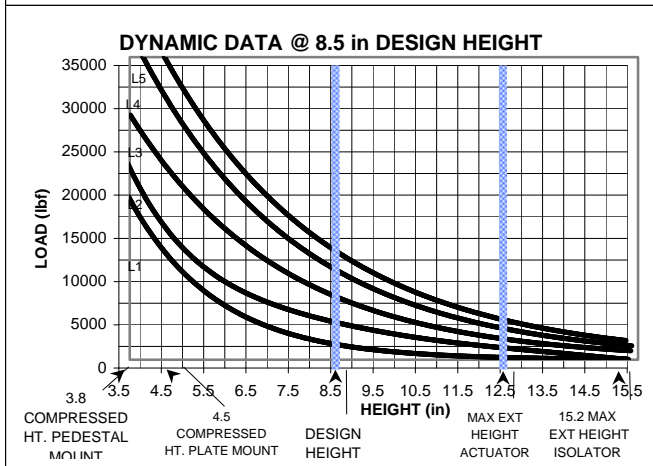
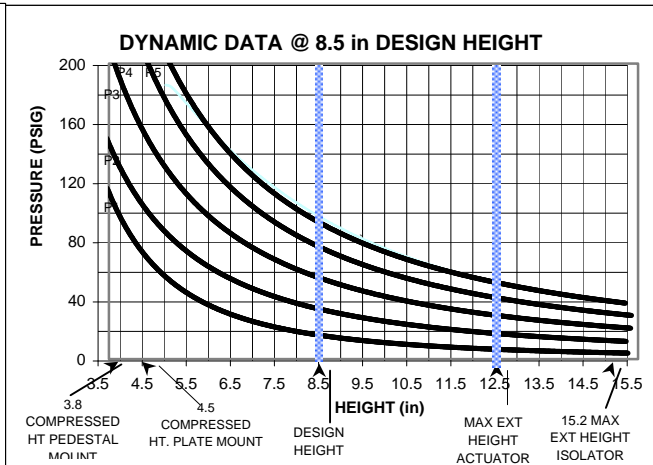
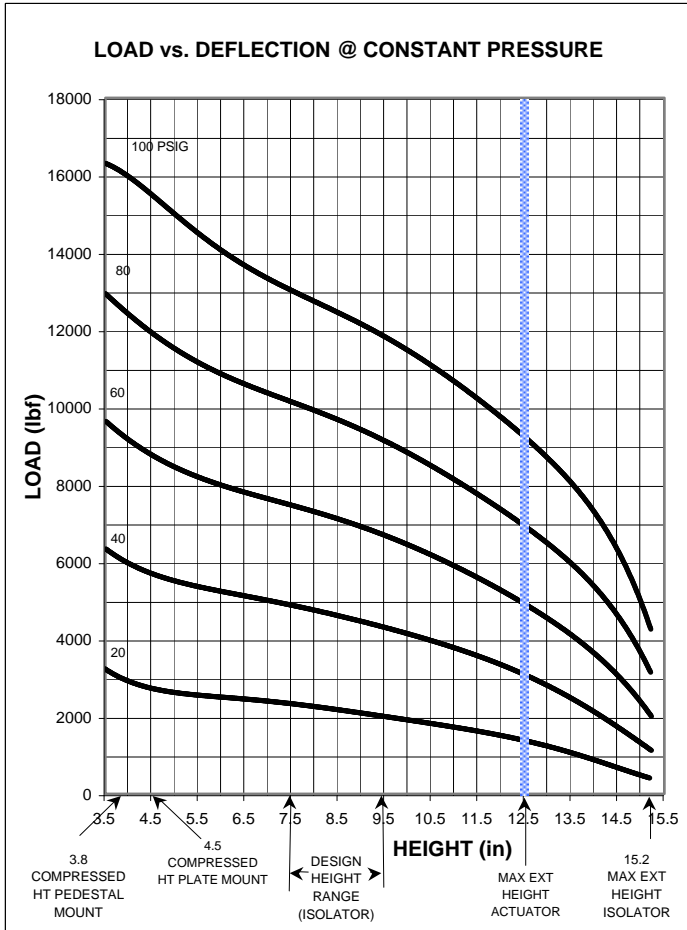
- LOAD RANGE (ISOLATOR).....2255-13075 lb
- DESIGN HEIGHT RANGE (ISOLATOR).....7.5-9.5 in
- USEABLE STROKE w/o BUMPER (ACTUATOR)....8.0 in PLATE MOUNT
- USEABLE STROKE WITH BUMPER (ACTUATOR)..11.0 in
- USEABLE STROKE w/o BUMPER (ACTUATOR)....8.7 IN PEDESTAL MOUNT
- ASSEMBLY WEIGHT.....19.2 lb
- TEMPERATURE RANGE.....
- FORCE TO COMPRESS AT 0 PSIG (APPROX.)...70 lb
- NOMINAL FREE STANDING HT. AT 0 PSIG.....9.7 in *

* NOTE: PRODUCT LIFE MAY BE SHORTENED WHEN OPERATING AT OR NEAR EXTREME TEMPERATURES. SEE TEMPERATURE RANGE GUIDELINES SECTION.

RECOMMENDED MAX. TORQUE VALUES

| 3/8"-16 UNC BLIND TAP TYP. OF (8) | 1/4"-18 UNC AIR FITTING | 3/4"-14 UNC AIR FITTING |
|-----------------------------------|-------------------------|-------------------------|
| 300 in-lb 25 ft-lb | 240 in-lb 20 ft-lb | 240 in-lb 20 ft-lb |

NOTE: SEE GUIDELINES FOR PROPER APPLICATION OF THIS PRODUCT



****NOTE: MAXIMUM INFLATION PRESSURE IS 100 PSIG. MAXIMUM JOUCE PRESSURE IS 200 PSIG. IF YOUR APPLICATION WILL EXCEED THESE LIMITS, CONSULT A GOODYEAR REPRESENTATIVE FOR APPLICATION ASSISTANCE.**

CONSTANT PRESSURE CHARACTERISTICS

| Assembly Height (in) | Volume @ 100 PSIG (in ³) | Force (lb) | | | | |
|----------------------|--------------------------------------|------------|-----------|-----------|-----------|------------|
| | | @ 20 PSIG | @ 40 PSIG | @ 60 PSIG | @ 80 PSIG | @ 100 PSIG |
| 15.2 | 1900 | 320 | 1100 | 2000 | 3100 | 4300 |
| 14.0 | 1806 | 800 | 2000 | 3500 | 5200 | 7100 |
| 12.5 | 1655 | 1350 | 3000 | 4800 | 6800 | 9100 |
| 11.0 | 1477 | 1700 | 3800 | 5900 | 8100 | 10600 |
| 9.5 | 1283 | 2000 | 4300 | 6700 | 9100 | 11800 |
| 8.5 | 1149 | 2200 | 4600 | 7100 | 9700 | 12500 |
| 7.5 | 1012 | 2300 | 4900 | 7500 | 10200 | 13100 |
| 6.0 | 806 | 2500 | 5200 | 7900 | 10700 | 13800 |
| 4.5 | 605 | 2700 | 5700 | 8800 | 12000 | 15700 |
| 3.8 | 511 | 3000 | 6000 | 9300 | 12500 | 16000 |
| 3.5 | 469 | 3200 | 6300 | 9600 | 12900 | 16200 |

DYNAMIC CHARACTERISTICS

| Design Height (in) | Load (lb) | Pressure (PSIG) | Spring Rate (lb/in) | Natural Frequency | |
|--------------------|-----------|-----------------|---------------------|-------------------|------|
| | | | | cpm | Hz |
| 9.5 | 2000 | 18 | 620 | 104 | 1.73 |
| | 4000 | 35 | 990 | 93 | 1.55 |
| | 7000 | 61 | 1565 | 89 | 1.48 |
| 8.5 | 10000 | 87 | 2100 | 86 | 1.43 |
| | 2000 | 17 | 650 | 107 | 1.78 |
| | 4000 | 33 | 1055 | 97 | 1.62 |
| | 7000 | 58 | 1640 | 91 | 1.52 |
| 7.5 | 10000 | 82 | 2235 | 89 | 1.48 |
| | 12000 | 97 | 2625 | 88 | 1.47 |
| | 2000 | 16 | 750 | 115 | 1.92 |
| | 4000 | 31 | 1170 | 102 | 1.70 |
| 7.5 | 7000 | 54 | 1810 | 96 | 1.60 |
| | 10000 | 78 | 2450 | 93 | 1.55 |
| | 12000 | 94 | 2895 | 92 | 1.53 |