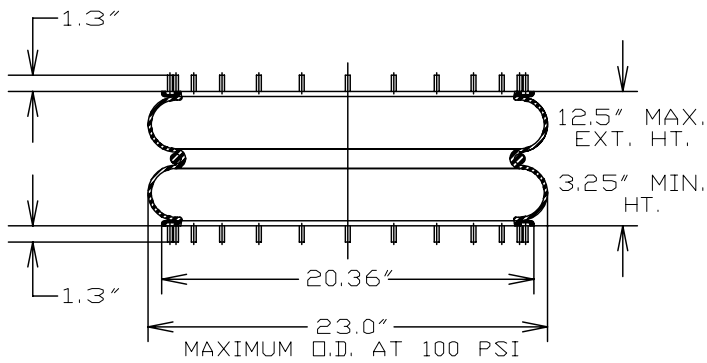
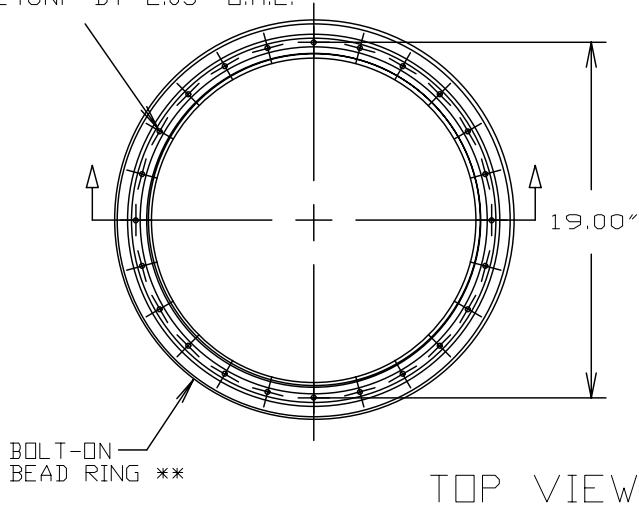
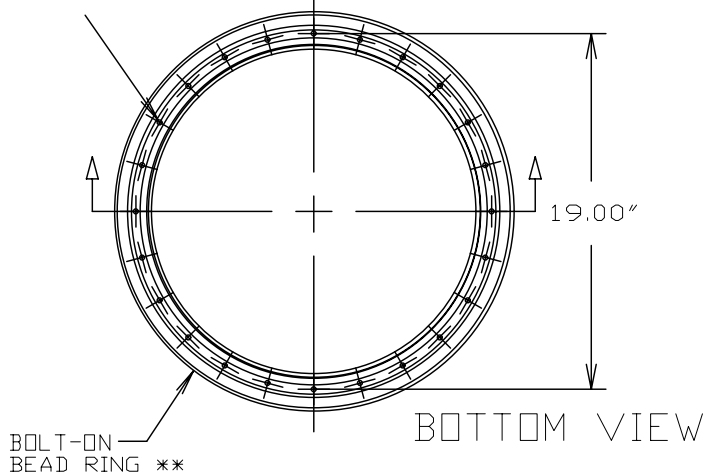


2B22-8539

24 BOLTS EQUALLY SPACED
3/8"-24UNF BY 2.05" O.A.L.



24 BOLTS EQUALLY SPACED
3/8"-24UNF BY 2.05" O.A.L.



ASSEMBLY NUMBER	BEAD RINGS	BOLTS/NUTS /WASHERS
2B22-8529	2 PCS	48 PCS = M10x1.5
2B22-8539	2 PCS	48 PCS = 3/8"-24UNF
FLEX MEMBER = 556-23-8350		

SPRING FEATURES:

- LOAD RANGE5200-31700 lb
- DESIGN HEIGHT RANGE7.0-9.0 in
- USEABLE STROKE9.25 in
- ASSEMBLY WEIGHT [NO PLATES].....24.3 lb
- TEMPERATURE RANGE*.....
- BEAD RING (BOLT-ON).....ALUMINUM

* NOTE: PRODUCT LIFE MAY BE SHORTENED WHEN OPERATING AT OR NEAR EXTREME TEMPERATURES. SEE TEMPERATURE RANGE GUIDELINES SECTION.

** CUSTOMER TO PROVIDE END PLATES TO MATCH BOLT PATTERN
END PLATE WOULD HAVE AIRFITTING

OTHER OPTIONS:

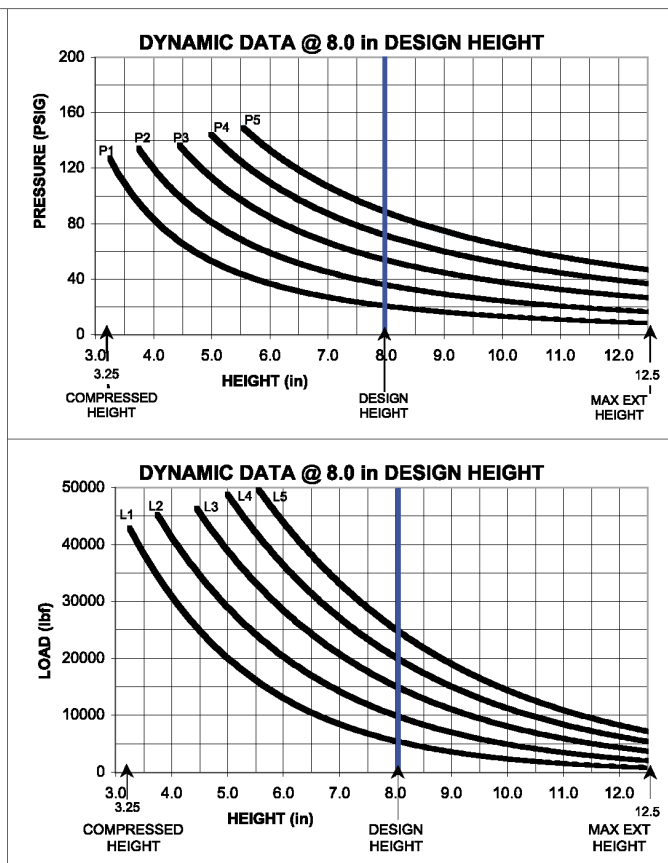
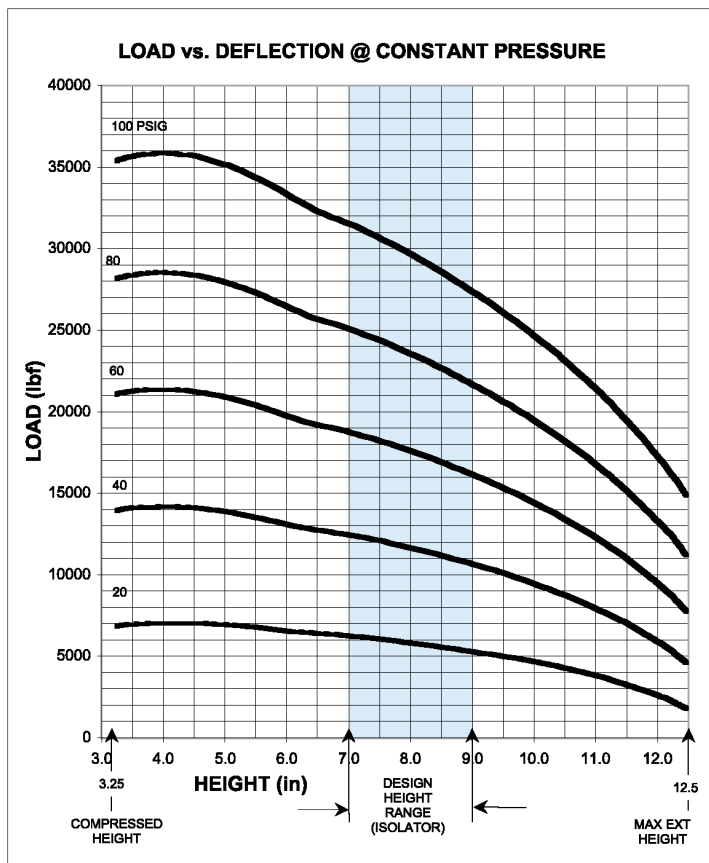
- SNAP ON VERSION
- EXTENDED F.M. VERSION

RECOMMENDED MAX. TORQUE VALUES

3/8"-24UNF	M10 x 1.5
300 in-lb 25 ft-lb	34 N-m

NOTE: SEE GUIDELINES FOR PROPER APPLICATION OF THIS PRODUCT

GRAPHS FOR REFERENCE ONLY - USE THE CHART DATA BELOW FOR DESIGN WORK



****NOTE: MAXIMUM INFLATION PRESSURE IS 100 PSIG. MAXIMUM JOUNCE PRESSURE IS 200 PSIG. IF YOUR APPLICATION WILL EXCEED THESE LIMITS, CONSULT A GOODYEAR REPRESENTATIVE FOR APPLICATION ASSISTANCE.**

CONSTANT PRESSURE CHARACTERISTICS

Assembly Height (in)	Volume @ 100 PSIG (in ³)	Nominal Force (lb)				
		@ 20 PSIG	@ 40 PSIG	@ 60 PSIG	@ 80 PSIG	@ 100 PSIG
12.5	3317	1700	4500	7700	11100	14800
11.5	3095	3300	7000	11000	15400	19800
10.5	2877	4300	8800	13500	18500	23500
9.0	2509	5200	10700	16200	21900	27700
8.0	2470	5700	11600	17600	23700	29800
7.0	1919	6200	12400	18800	25200	31700
6.0	1601	6500	13100	19800	26600	33600
5.0	1215	6900	13800	20800	28000	35200
4.0	840	7000	14100	21300	28500	35800
3.25	716	6800	13800	21000	28100	35300

DYNAMIC CHARACTERISTICS

Design Height (in)	Load (lb)	Pressure (PSIG)	Spring Rate (lb/in)	Natural Frequency	
				cpm	Hz
9.0	6000	23	1880	105	1.75
	10000	38	2740	98	1.63
	15000	56	3790	95	1.58
	20000	74	4815	92	1.53
8.0	25000	92	5795	90	1.50
	6000	21	2025	109	1.82
	10000	36	2885	101	1.68
	15000	53	4025	97	1.62
7.0	20000	70	5065	95	1.58
	25000	87	6210	94	1.57
	6000	21	2235	115	1.92
	10000	34	3230	107	1.78
7.0	15000	51	4395	102	1.70
	20000	67	5590	99	1.65
	25000	83	6780	98	1.63