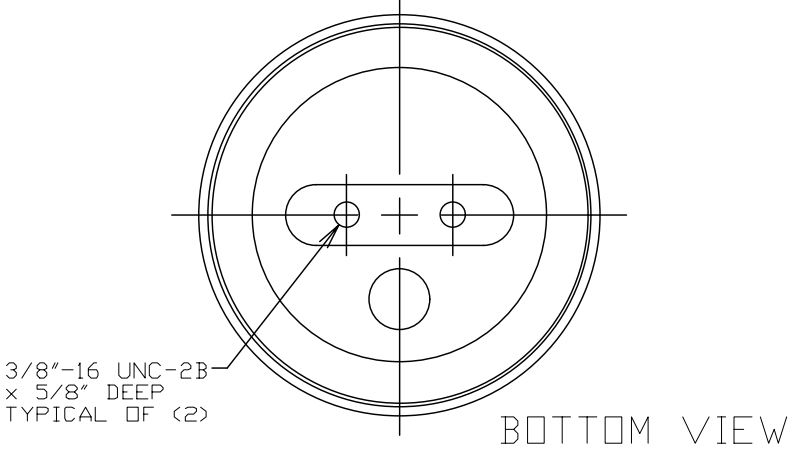
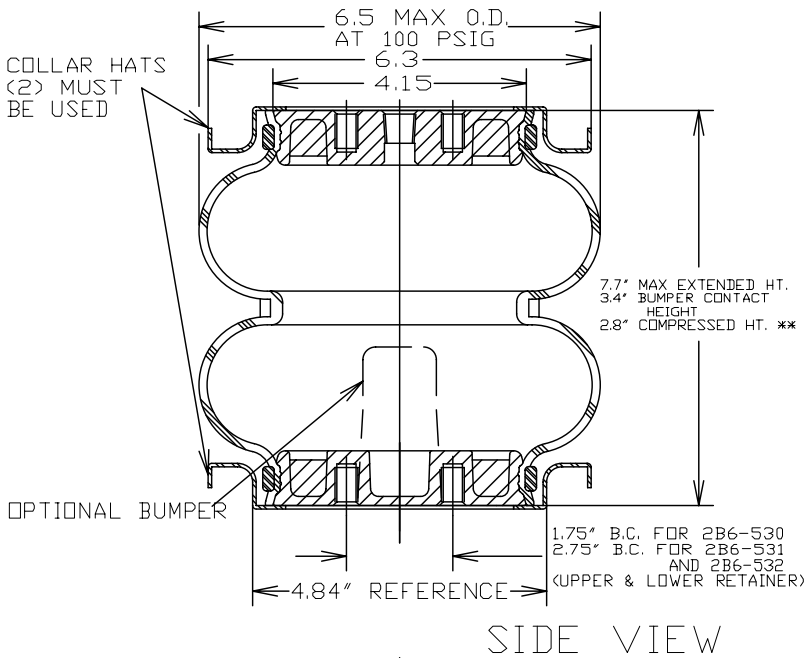
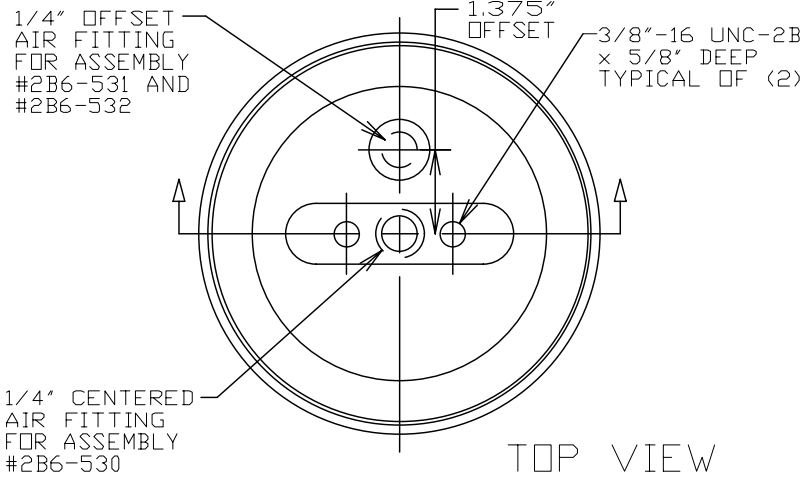


2B6-530



ASSEMBLY NUMBER	ELASTOMER	AIR FITTING	BUMPER INCLUDED
2B6-530	WINGPRENE	1/4"-18 NPTF CENTERED	NO
2B6-531	WINGPRENE	1/4"-18 NPTF OFFSET 1.375"	NO
2B6-532	WINGPRENE	1/4"-18 NPTF OFFSET 1.375"	YES

SPRING FEATURES:

- LOAD RANGE (ISOLATOR).....180-2000 lb
- DESIGN HEIGHT RANGE (ISOLATOR).....4.5-6.5 in
- USEABLE STROKE w/o BUMPER (ACTUATOR)***.4.5 in
- USEABLE STROKE WITH BUMPER (ACTUATOR)...4.3 in
- ASSEMBLY WEIGHT w/o BUMPER.....5.1 lb
- TEMPERATURE RANGE*.....
- FORCE TO COMPRESS AT 0 PSIG (See Note **)
- NOMINAL FREE STANDING HT. AT 0 PSIG....5.8 in

* NOTE: PRODUCT LIFE MAY BE SHORTENED WHEN OPERATING AT OR NEAR EXTREME TEMPERATURES. SEE TEMPERATURE RANGE GUIDELINES SECTION.

**NOTE: FORCE TO COMPRESS AT 0 PSI INTERNAL PRESSURE NO BUMPER IS:
 (30 LBS FORCE TO GO TO 3.4" HEIGHT)
 (60 LBS FORCE TO GO TO 3.2" HEIGHT)
 (190 LBS FORCE TO GO TO 3.0" HEIGHT)
 (410 LBS FORCE TO GO TO 2.8" HEIGHT)

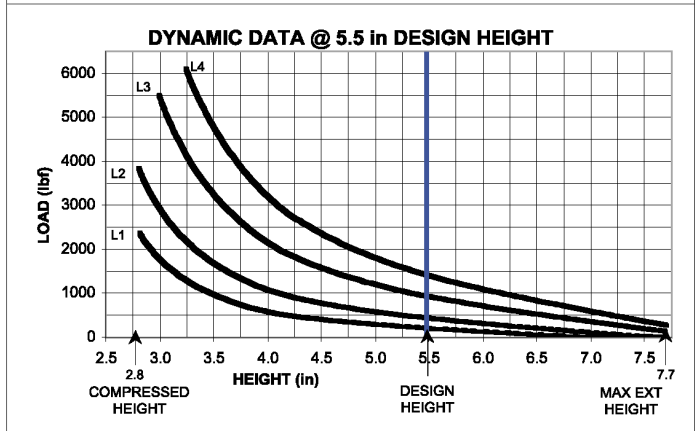
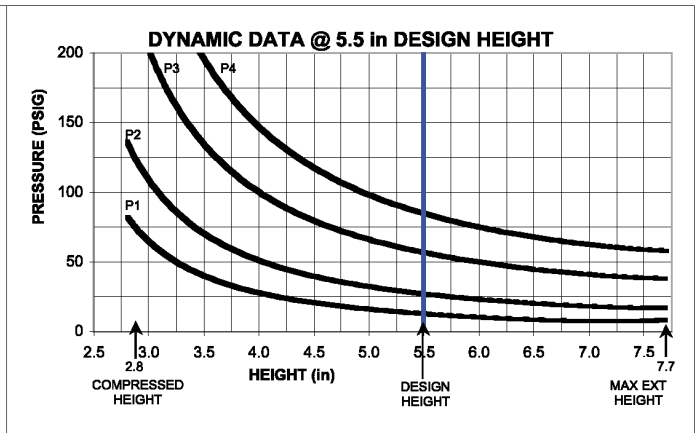
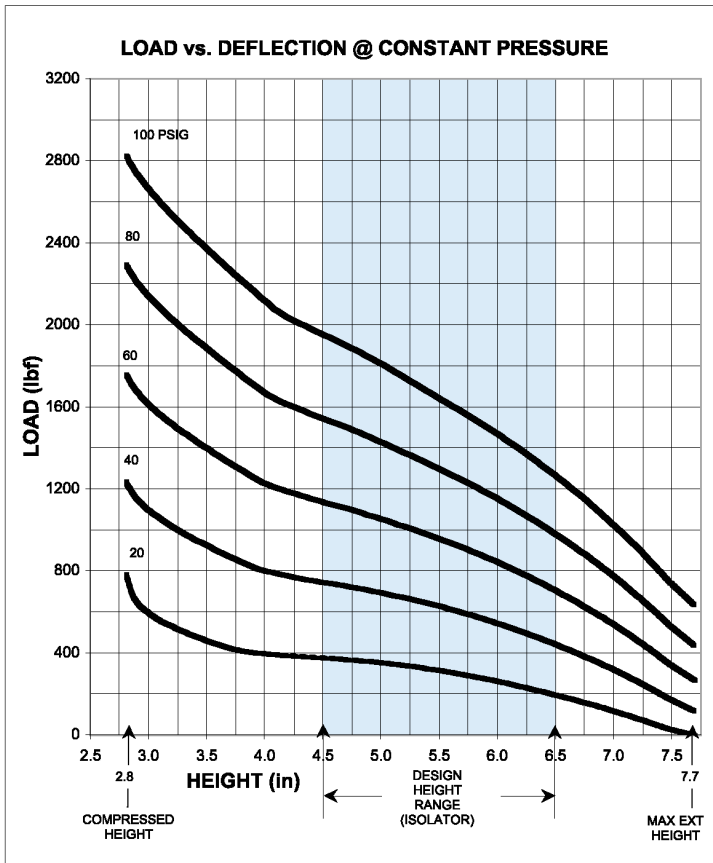
*** BASED ON 3.2" COMPRESSED HEIGHT

RECOMMENDED MAX. TORQUE VALUES

3/8"-16 UNC BLIND TAP TYP. OF (4)	1/4"-18 UNC AIR FITTING
240 in-lb 20 ft-lb	240 in-lb 20 ft-lb

NOTE: SEE GUIDELINES FOR PROPER APPLICATION OF THIS PRODUCT

GRAPHS FOR REFERENCE ONLY - USE THE CHART DATA BELOW FOR DESIGN WORK



****NOTE: MAXIMUM INFLATION PRESSURE IS 100 PSIG. MAXIMUM JOUNCE PRESSURE IS 200 PSIG. IF YOUR APPLICATION WILL EXCEED THESE LIMITS, CONSULT A GOODYEAR REPRESENTATIVE FOR APPLICATION ASSISTANCE.**

CONSTANT PRESSURE CHARACTERISTICS

Assembly Height (in)	Volume @ 100 PSIG (in ³)	Nominal Force (lb)				
		@ 20 PSIG	@ 40 PSIG	@ 60 PSIG	@ 80 PSIG	@ 100 PSIG
7.7	125	--	90	220	380	580
7.0	115	110	300	520	750	1000
6.5	108	180	420	680	1000	1300
6.0	100	250	520	800	1100	1500
5.5	91	300	620	900	1300	1600
5.0	82	340	680	1000	1400	1800
4.5	72	360	700	1100	1500	2000
4.0	62	380	750	1200	1700	2150
3.5	51	440	900	1350	1900	2400
2.8	36	750	1200	1700	2300	2800

DYNAMIC CHARACTERISTICS

Design Height (in)	Load (lb)	Pressure (PSIG)	Spring Rate (lb/in)	Natural Frequency	
				cpm	Hz
6.5	250	24	245	188	3.13
	500	44	370	160	2.67
	1000	80	600	146	2.43
5.5	250	15	185	162	2.70
	500	30	290	143	2.38
	1000	60	525	136	2.27
	1500	89	750	134	2.23
4.5	250	13	205	170	2.83
	500	26	350	157	2.62
	1000	52	620	147	2.45
	1500	77	865	143	2.38
	2000	100	1120	141	2.35