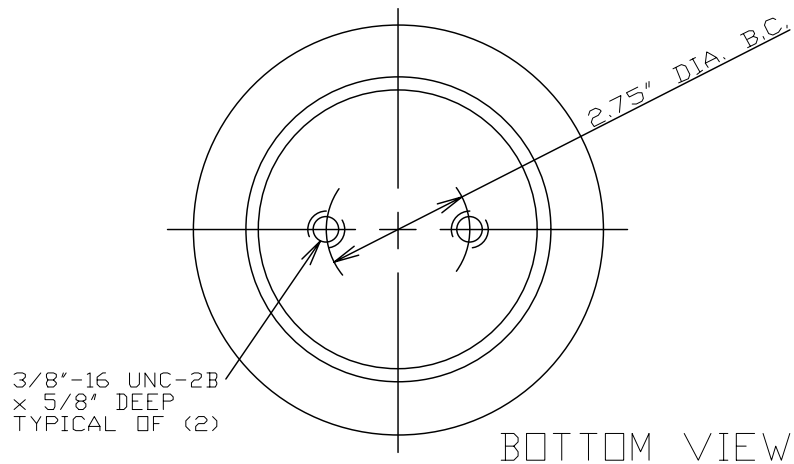
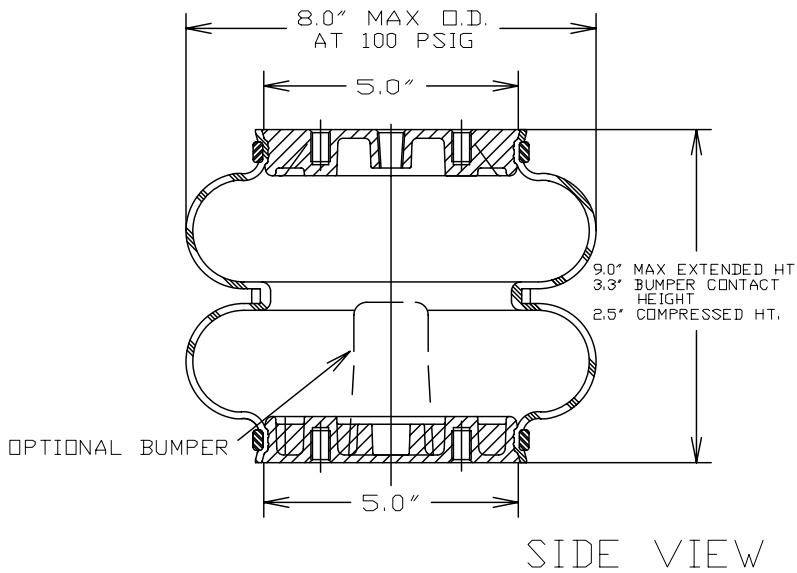
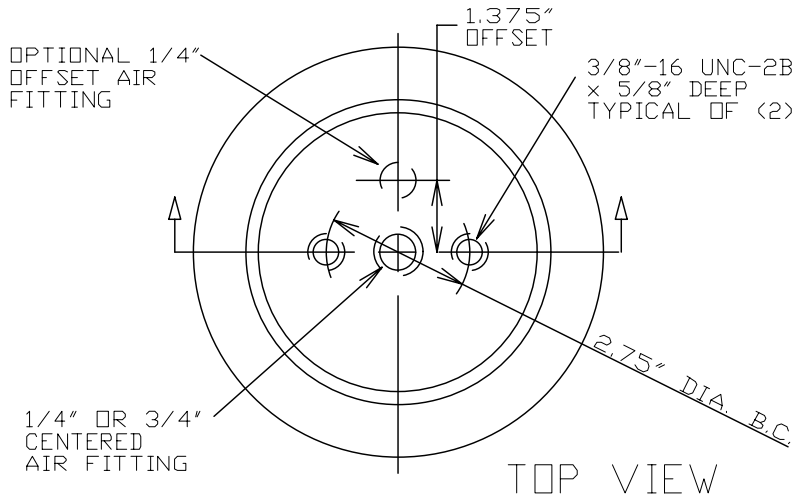


2B7-540



ASSEMBLY NUMBER	ELASTOMER	AIR FITTING	BUMPER INCLUDED
2B7-540	WINGPRENE	1/4"-18 NPTF CENTERED	NO
2B7-541	WINGPRENE	1/4"-18 NPTF OFFSET 1.375"	NO
2B7-542	WINGPRENE	1/4"-18 NPTF OFFSET 1.375"	YES
2B7-546	WINGPRENE	3/4"-14 NPTF CENTERED	NO

SPRING FEATURES:

- LOAD RANGE (ISOLATOR).....230-2500 lb
- DESIGN HEIGHT RANGE (ISOLATOR).....6.0-8.0 in
- USEABLE STROKE w/o BUMPER (ACTUATOR)...6.5 in
- USEABLE STROKE WITH BUMPER (ACTUATOR)...5.7 in
- ASSEMBLY WEIGHT w/o BUMPER.....5.5 lb
- TEMPERATURE RANGE*.....
- FORCE TO COMPRESS AT 0 PSIG (APPROX.)...40 lb
- NOMINAL FREE STANDING HT. AT 0 PSIG....6.7 in

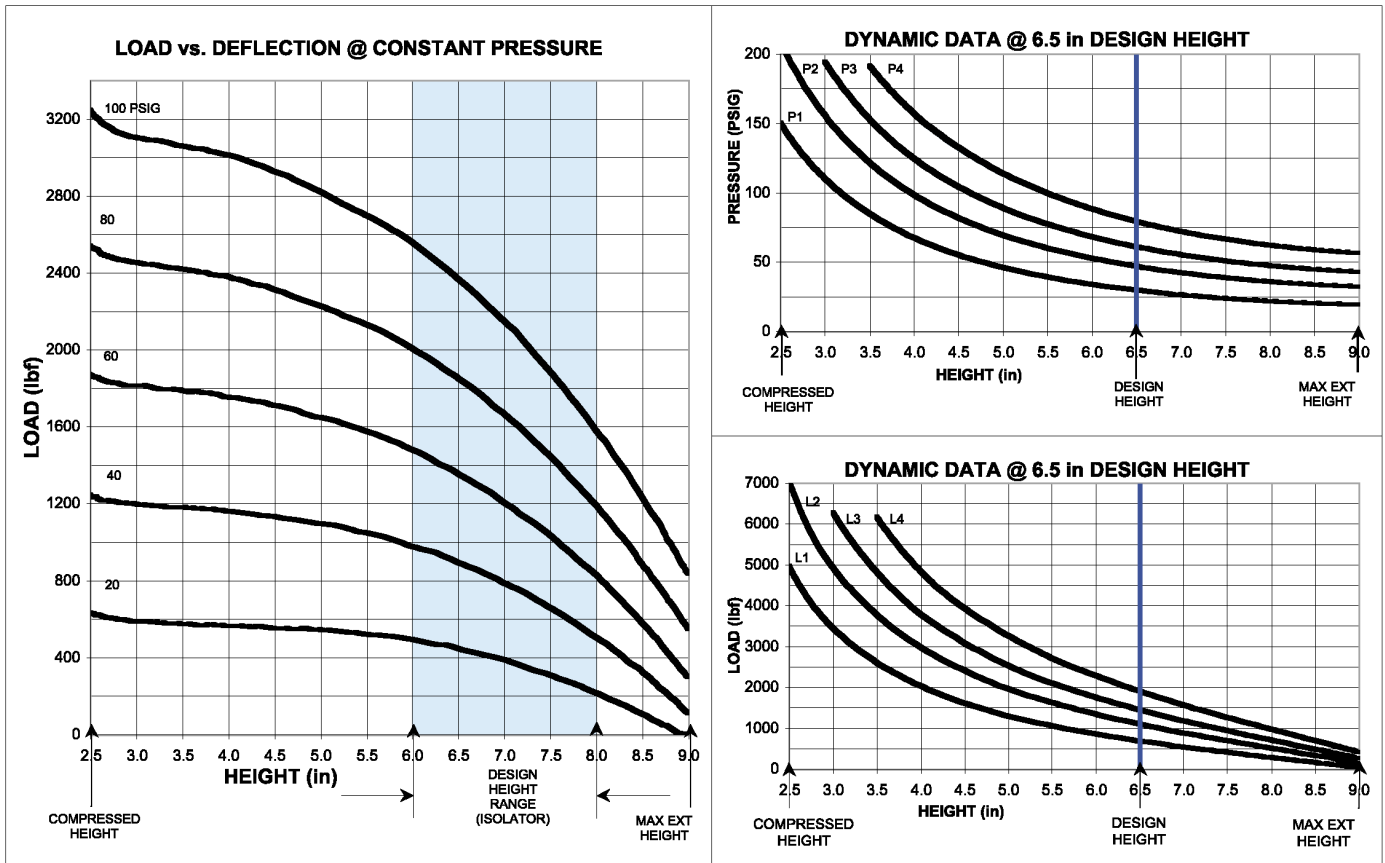
* NOTE: PRODUCT LIFE MAY BE SHORTENED WHEN OPERATING AT OR NEAR EXTREME TEMPERATURES. SEE TEMPERATURE RANGE GUIDELINES SECTION.

RECOMMENDED MAX. TORQUE VALUES

3/8"-16 UNC BLIND TAP TYP. OF (4)	1/4"-18 UNC AIR FITTING	3/4"-14 UNC AIR FITTING
240 in-lb 20 ft-lb	240 in-lb 20 ft-lb	240 in-lb 20 ft-lb

NOTE: SEE GUIDELINES FOR PROPER APPLICATION OF THIS PRODUCT

GRAPHS FOR REFERENCE ONLY - USE THE CHART DATA BELOW FOR DESIGN WORK



****NOTE: MAXIMUM INFLATION PRESSURE IS 100 PSIG. MAXIMUM JOUNCE PRESSURE IS 200 PSIG. IF YOUR APPLICATION WILL EXCEED THESE LIMITS, CONSULT A GOODYEAR REPRESENTATIVE FOR APPLICATION ASSISTANCE.**

CONSTANT PRESSURE CHARACTERISTICS

Assembly Height (in)	Volume @ 100 PSIG (in ³)	Nominal Force (lb)				
		@ 20 PSIG	@ 40 PSIG	@ 60 PSIG	@ 80 PSIG	@ 100 PSIG
9.0	232	0	110	280	540	800
8.5	222	120	320	640	900	1250
8.0	214	230	500	800	1200	1600
7.0	195	380	800	1200	1700	2100
6.5	182	460	900	1350	1800	2300
6.0	151	500	950	1450	2000	2500
5.0	136	540	1100	1600	2200	2800
4.0	105	560	1150	1700	2400	3000
3.0	74	580	1200	1800	2400	3100
2.5	59	620	1200	1800	2500	3200

DYNAMIC CHARACTERISTICS

Design Height (in)	Load (lb)	Pressure (PSIG)	Spring Rate (lb/in)	Natural Frequency	
				cpm	Hz
8.0	730	48	450	147	2.45
	1150	72	655	142	2.37
	1500	92	800	137	2.28
6.5	730	31	335	126	2.10
	1150	49	480	122	2.03
	1500	63	595	118	1.97
6.0	1950	81	730	115	1.92
	730	30	325	125	2.08
	1150	46	475	121	2.02
6.0	1500	59	575	117	1.95
	1950	76	715	114	1.90